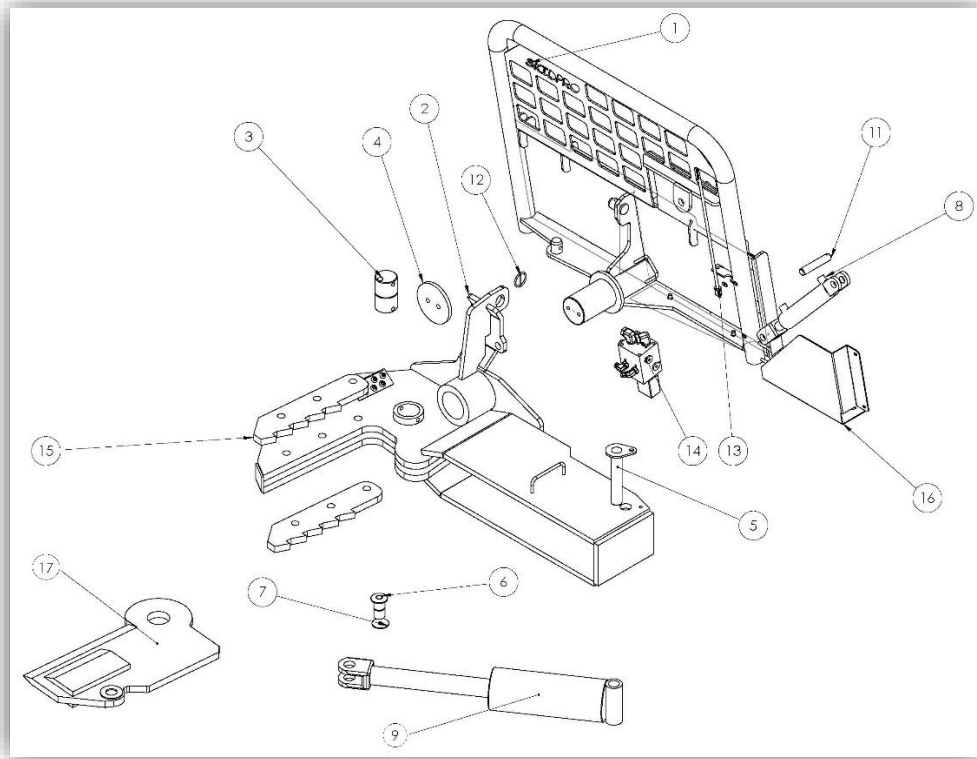


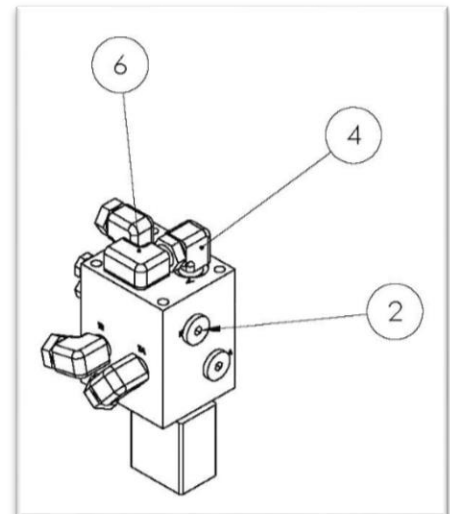
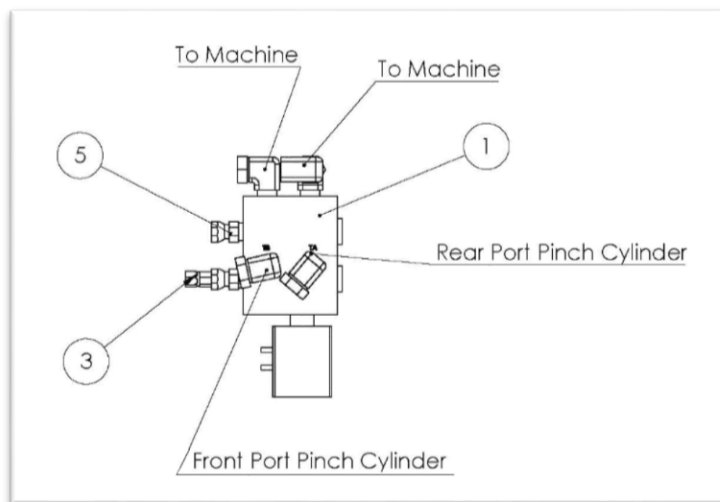
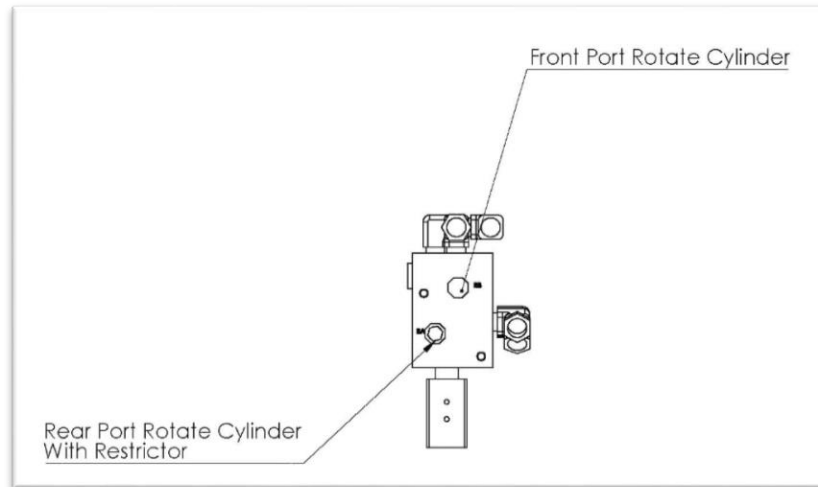
Tree Shear - Parts Diagram A



Tree Shear - Parts List A

ITEM NO.	PART NUMBER	DESCRIPTION	QTY.
1	666-02-0001-2	Backer	1
2	666-02-0002-2	Jaw Assembly	1
3	666-03-0017	Blade Pin	1
4	666-03-0020	Washer	1
5	666-02-0004	Rear Cylinder Pin	1
6	666-03-0025	Blade Cylinder Pin	1
7	666-03-0026	Blade Cylinder Pin Cap	1
8	666-02-0007	Rotate Cylinder	1
9	666-02-0006	Pinch Cylinder	1
10	666-03-0036	Cover Plate	1
11	666-03-0040	Rotate Cylinder Pin	1
12	666-03-0045	Keeper Pin	1
13	667-02-0014	Dozer/Tree Shear Wire	1
14	Rotate Valve Block Assembly-2	Rotate Valve Block Assembly	1
15	666-03-0047	Tooth Plate	2
16	666-03-0048	Cover Plate	1
17	666-02-0005-2	Blade	1

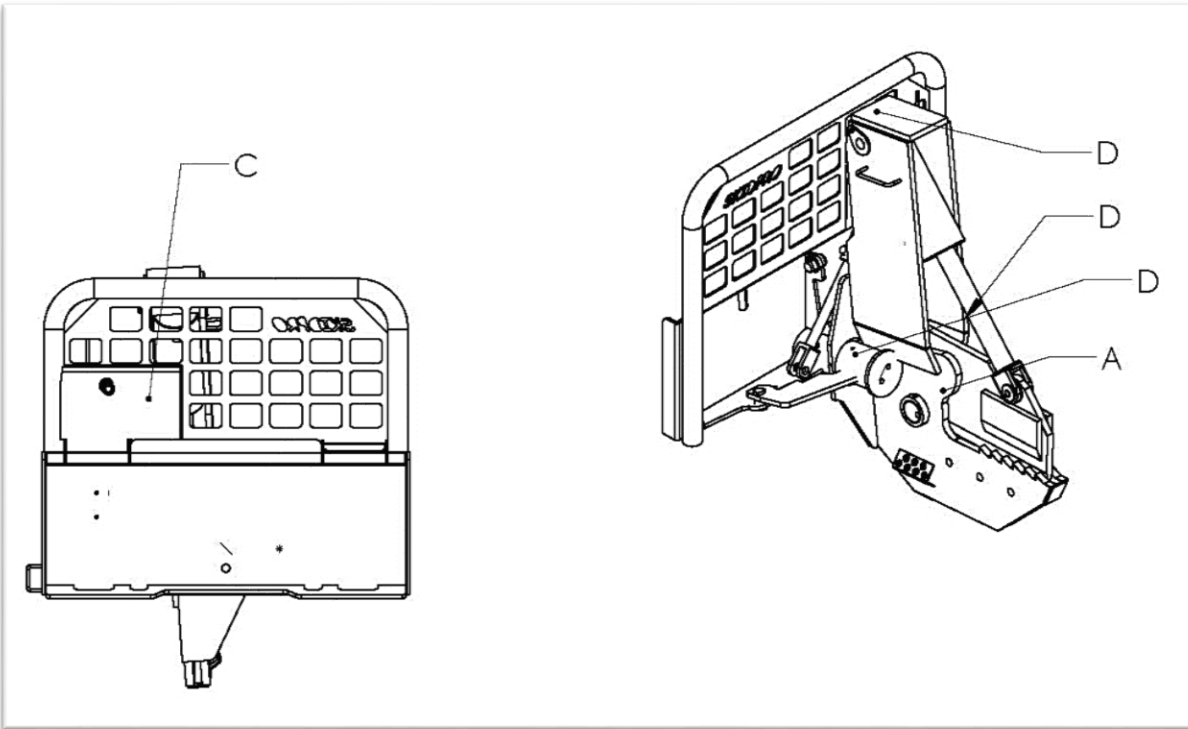
Rotate Valve Block Assembly - Diagram B



Rotate Valve Block Assembly - Parts List B

ITEM NO.	PART NUMBER	DESCRIPTION	QTY.
1	667-03-0038	Valve Block	1
2	900598-8S	-8 MORB Plug	4
3	H250-FT1004	Inline Restrictor	1
4	H500-FT1208	90° Fitting	4
5	H250-FT1108	8 MOR-4FPX STR	2
6	H500-FT05	90° Fitting	1

Warning Decal - Diagram C



Warning Decal - Parts List C

Decals	Description	Part Number	Qty.
A	Keep Hands Clear		1
C	Serial Number		1
D	Grease Dailey		3

Tree Shear Hose List

Manual Tree Shear Hose List

Part Number	Description
SPTS-500-96	½" X 96" Hose, Rear Port Pinch Cylinder to Quick Coupler
SPTS-500-108	½"X108" Hose, Front Port Pinch Cylinder to Quick Coupler

Tree Sheer with Hydraulic Rotate Hose List

Part Number	Description
SPTS-500-106	½" X 106" Hose, from Port A to Female Coupler on Machine
SPTS-500-106	½" X 106" Hose, from Port B to Male Coupler on Machine
SPTS-500-54	½" X 54" Hose, from Port TB to Front Port on Pinch Cylinder
SPTS-500-47	½" X 47" Hose, from Port TA to Rear Port on Pinch Cylinder
SPTS-250-21	¼" X 21" Hose, from Port BA to Rear Port on Rotate Cylinder
SPTS-250-17	¼" X 17" Hose, from Port 3BB to Front Port on Rotate Cylinder

Tree Shear Couplers

Part Number	Description	Qty.
AU-03-9991-8ORB90	90° Female Flat Face Coupler	1
AU-03-9990-8ORB90	90° Male Flat Face Coupler	1
H500-FT16-8-8	Adapter	2

Tree Shear Plug Wiring Pins

<u>ASV 8 Pin</u> Black Wire- Letter A White Wire- Letter B	<u>JCB 14 Pin</u> Black Wire- Letter B White Wire- Letter A
<u>Bobcat & Gehl 14 Pin</u> Black Wire- Letter B White Wire- Letter A	<u>John Deere 14 Pin</u> Black Wire- Letter A White Wire- Letter B
<u>Case 14 Pin</u> Black Wire- Letter B White Wire- Letter A	<u>Kubota 14 Pin</u> Black Wire- Letter B White Wire- Letter A
<u>Cat 8 Pin</u> Black Wire- Letter A White Wire- Letter B	<u>Mustang 14 Pin</u> Black Wire- Letter B White Wire- Letter A
<u>Cat 14 Pin</u> Black Wire- Letter B White Wire- Letter A	<u>New Holland 14 Pin</u> Black Wire- Letter B White Wire- Letter A
<u>Gehl 14 Pin</u> Black Wire- Letter B White Wire- Letter A	<u>Volvo 14 Pin</u> Black Wire- Letter B White Wire- Letter A