

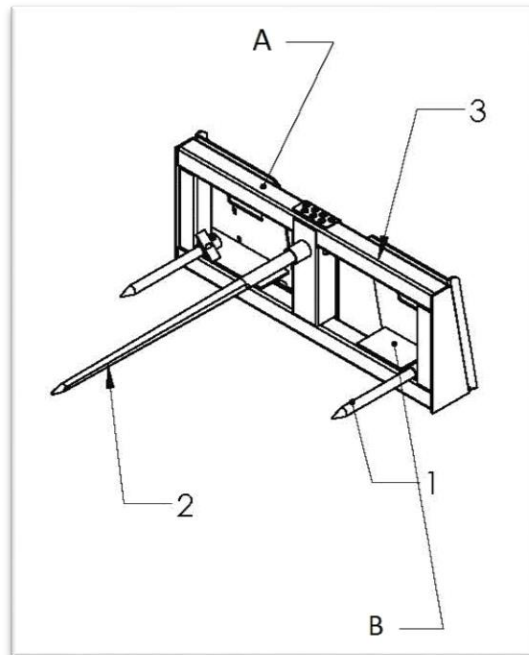
BALE SPEAR PARTS

Introduction

All parts are illustrated in "exploded views" which show the individual parts in the normal relationship to each other. Reference numbers are used in the illustrations. These numbers correspond to those in the "Item No." column, and are followed by the description and quantity required.

The manufacturer reserves the right to change, modify, or eliminate from time to time, for technical or other reasons, certain or all data, specifications, or the product or products themselves, without any liability or obligation.

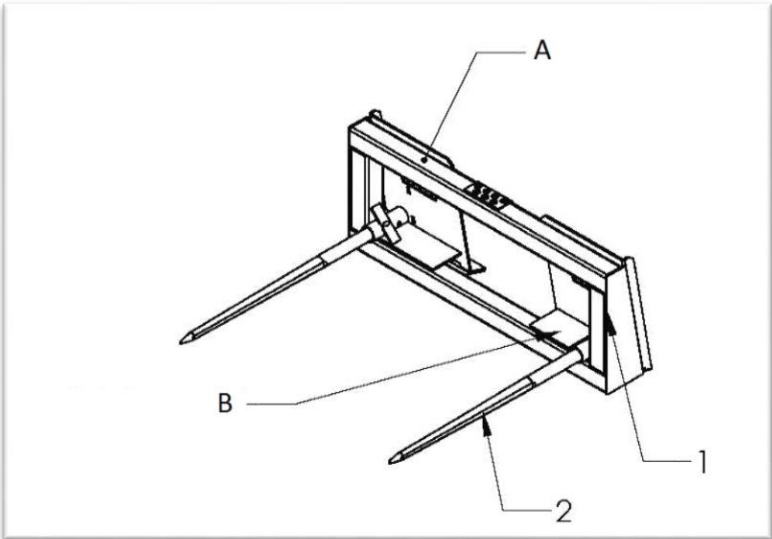
Bale Spear Assembly - Round - Diagram A



Bale Spear Assembly - Round - Parts List A

ITEM NO.	PART NUMBER	DESCRIPTION	QTY.
1	AU-03-0825	Stabilizer Spike	2
2	AU-03-0823	48" Spear	1
3	AU-02-810	Round Bale Spear Backer	2
A	Decals-3-0005	Skid Pro Logo	1
B	Decals-3-0024	Serial Number	1

Bale Spear Assembly - Square - Diagram B



Bale Spear Assembly - Square - Parts List B

ITEM NO.	PART NUMBER	DESCRIPTION	QTY.
1	AU-02-0815	Square Bale Spear Backer	1
2	AU-03-0824	39" Spear	2
A	Decals-3-0005	Skid Pro Logo	1
B	Decals-3-0024	Serial Number	1